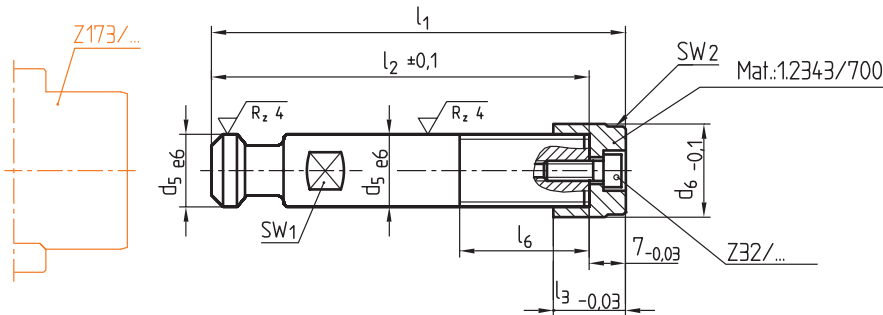


Z1731/...

Mat.: 1.5920/59 + 2 HRC



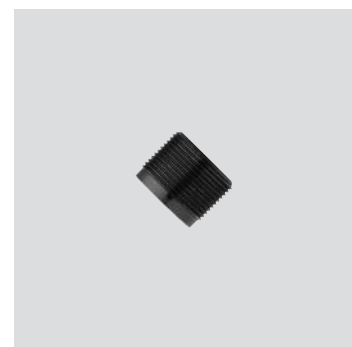
► Info



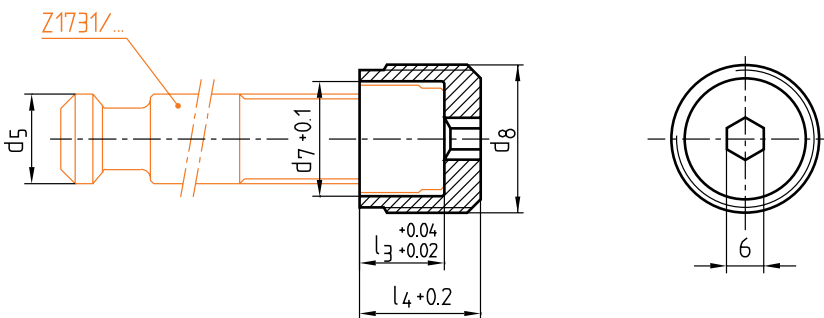
SW <sub>1</sub>	SW <sub>2</sub>	l <sub>6</sub>	l <sub>3</sub>	l <sub>2</sub>	d <sub>6</sub>	d <sub>5</sub>	l <sub>1</sub>	Nr./No.
12	15	20	14	56	18,5	14	63	Z1731/14x 63
				73			80	80
				93			100	100
				118			125	125
15	19	20	16	73	23,5	18	80	Z1731/18x 80
				93			100	100
				116			125	125
				133			140	140

Z1732/...

Mat.: 1.2343/ 1000 N/mm<sup>2</sup>



► Info



l <sub>4</sub>	l <sub>3</sub>	d <sub>8</sub>	d <sub>7</sub>	d <sub>5</sub>	Nr./No.
20	14	M24x1	19	14	Z1732/14
22	16	M30x1,5	24	18	18

This is trial version  
www.adultpdf.com